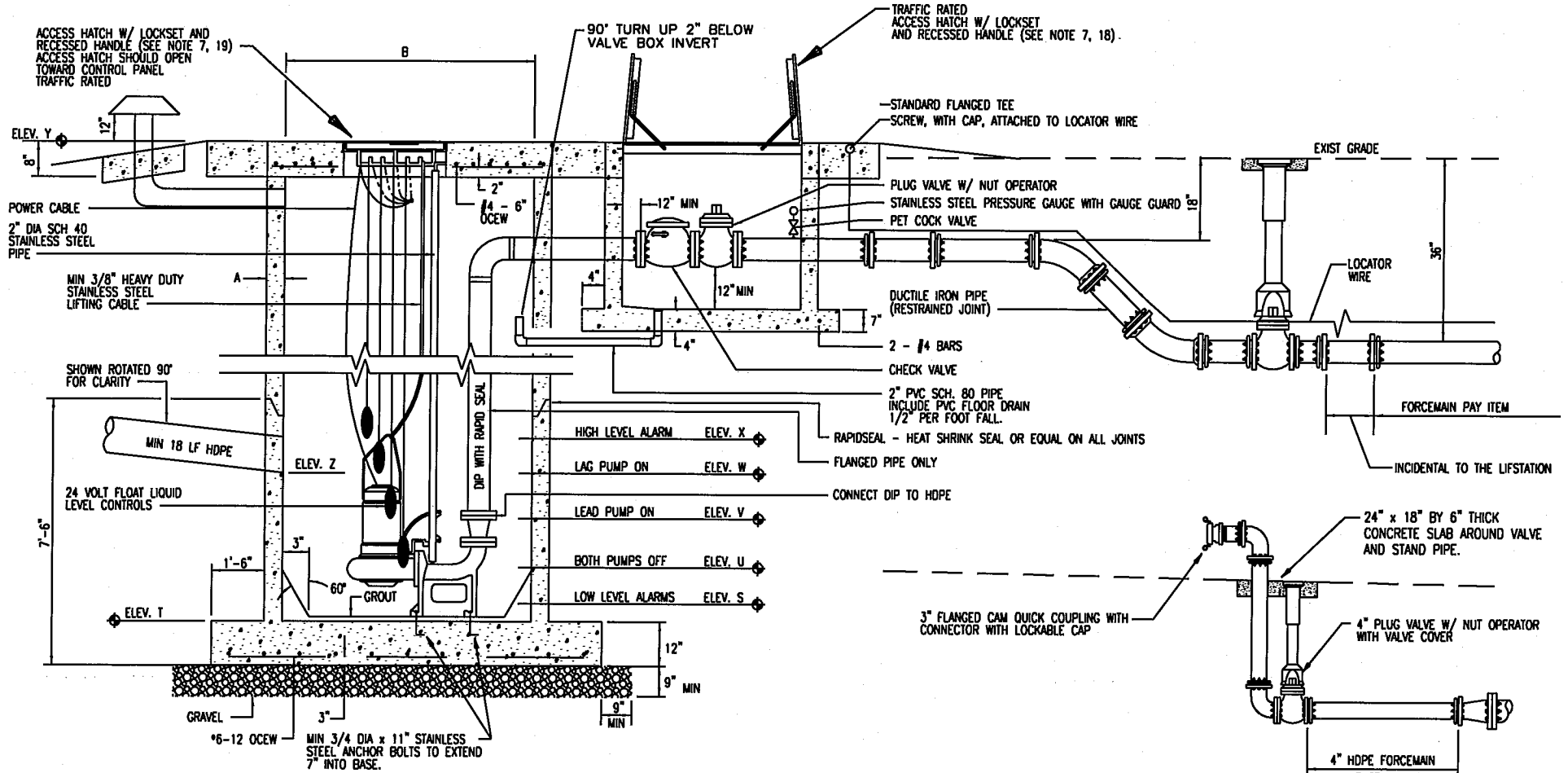


PUMP STATION PLAN (DETAILS) VIEW



PUMP STATION SECTION (DETAILS) VIEW

SECTION A-A EMERGENCY BYPASS CONNECTOR

PUMP DATA	
PUMP NO:	
1	MANUFACTURER: _____; MODEL: _____; IMP: _____; DIA: _____; MM, SPEED: _____ RPM; DISCHARGE SIZE: _____ IN; VOLTAGE: _____; HZ: _____; PHASE: _____; HP: _____; MIN SOLID SIZE: _____ IN; CURVE: _____.
2	MANUFACTURER: _____; MODEL: _____; IMP: _____; DIA: _____; MM, SPEED: _____ RPM; DISCHARGE SIZE: _____ IN; VOLTAGE: _____; HZ: _____; PHASE: _____; HP: _____; MIN SOLID SIZE: _____ IN; CURVE: _____.
3	MANUFACTURER: _____; MODEL: _____; IMP: _____; DIA: _____; MM, SPEED: _____ RPM; DISCHARGE SIZE: _____ IN; VOLTAGE: _____; HZ: _____; PHASE: _____; HP: _____; MIN SOLID SIZE: _____ IN; CURVE: _____.
PUMPS OPERATING CONDITIONS	
RUNNING PUMP:	
PUMP 1	_____ gpm _____ TDH _____ %EFF.
PUMP 1 & 2	_____ gpm _____ TDH _____ %EFF.
PUMP 1, 2 & 3	_____ gpm _____ TDH _____ %EFF.

WETWELL AND FLOATS DATA		
PUMPING STATIONS	DIMENSIONS	ELEV. AT CONST
DIM A	8" MIN	
DIM B	6'-0" MIN	
DIM D	*	
DIM E	24" MIN	
DIM F	30" MIN	
DIM G	*	
DIM H	48" MIN	
DIM K	48" MIN	
ELEV. S		
ELEV. T		0.00
ELEV. U		
ELEV. V		
ELEV. W		
ELEV. X		
ELEV. Y		
ELEV. Z		4'-6" MIN

* PER PUMP MANUFACTURERS REQUIREMENT

THESE DETAILS ARE PROVIDED ONLY TO ASSIST IN THE DESIGN PROCESS. ALL DESIGNS SHALL BE IN ACCORDANCE WITH THE SPECIFIC ARTICLES AND SECTIONS OF THE CITY OF OCOEE'S MOST CURRENT UTILITIES SPECIFICATIONS. IT IS THE ENGINEER'S RESPONSIBILITY TO OBTAIN AND USE UPDATED VERSIONS OF THESE DETAILS SHOULD THEY BECOME AVAILABLE FROM THE CITY.

NO.	DATE	DESCRIPTION	BY

CITY OF OCOEE
UTILITIES DEPT.
1800 A.D. MIMS RD, OCOEE, FLORIDA 34761
P 407-905-3100 F 407-656-7416 www.ci.ocoee.fl.us

STANDARD
UTILITIES
DETAILS

LIFT STATION MECHANICAL &
STRUCTURAL
DETAIL SHEET

ENGINEER'S CERTIFICATION FOR
PUMP/STATION HYDRAULIC DESIGN
SCALE: n/a
DATE: 12/06
PAGE NO: 1
OF 6