

24" x 24" x 6"  
THICK CONC. PAD  
TYP. EACH VALVE BOX.

3" DIA. BRONZE DISC  
ANCHORED IN CONC. PAD  
STAMP AS REQ'D  
(SEE NOTE 1)

SIZE OF VALVE  
TYPE OF VALVE  
SERVICE

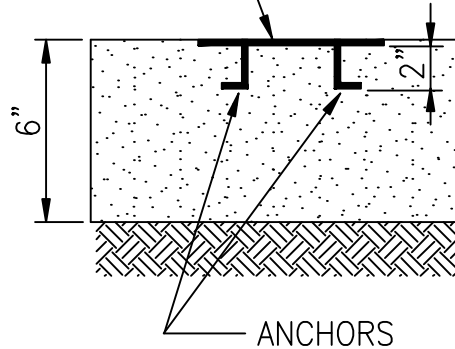
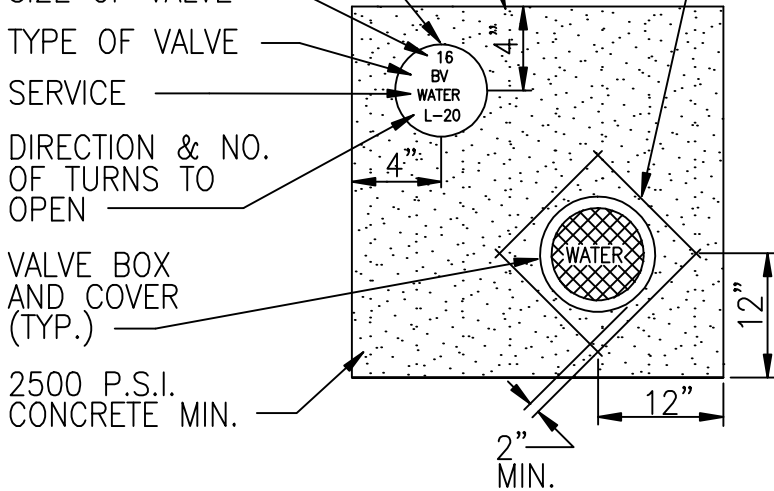
DIRECTION & NO.  
OF TURNS TO  
OPEN

VALVE BOX  
AND COVER  
(TYP.)

2500 P.S.I.  
CONCRETE MIN.

#4 BARS ALL  
AROUND

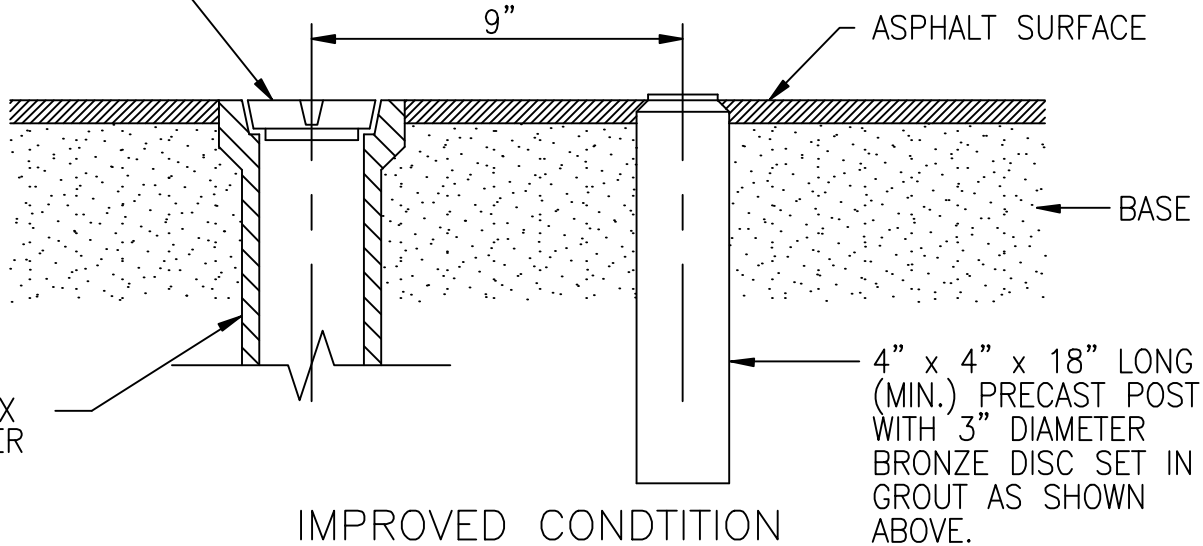
3" DIA. BRONZE  
DISC ANCHORED IN  
CONC. PAD STAMP  
AS REQ'D.



UNIMPROVED CONDITION

TOP FLUSH WITH  
FINISHED GRADE

VALVE BOX  
AND COVER  
(TYP.)



IMPROVED CONDITITION

NOTES:

1. BRONZE IDENTIFICATION DISC SHALL BE REQUIRED FOR ALL VALVES 16" AND LARGER, OR AS REQUIRED BY THE CITY FOR CRITICAL OFFSITE VALVES.
2. VALVE COLLAR DIMENSIONS MAY BE REDUCED TO 18" x 18" x 6" WHEN THE BRONZE IDENTIFICATION DISC IS NOT REQUIRED.

CITY OF OCOEE UTILITIES DEPARTMENT

VALVE COLLAR DETAIL

DATE:

DWG:

VALCOL

FIG:

107