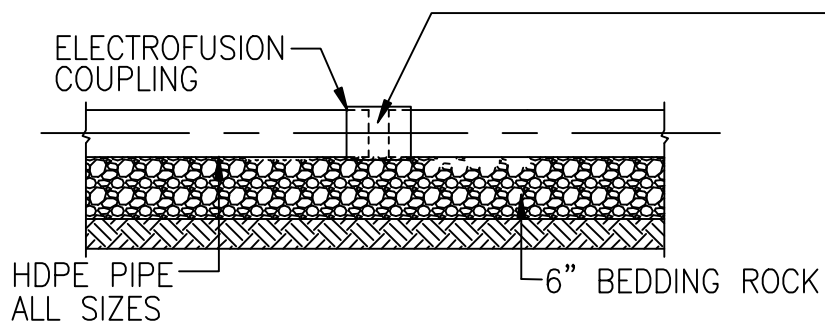
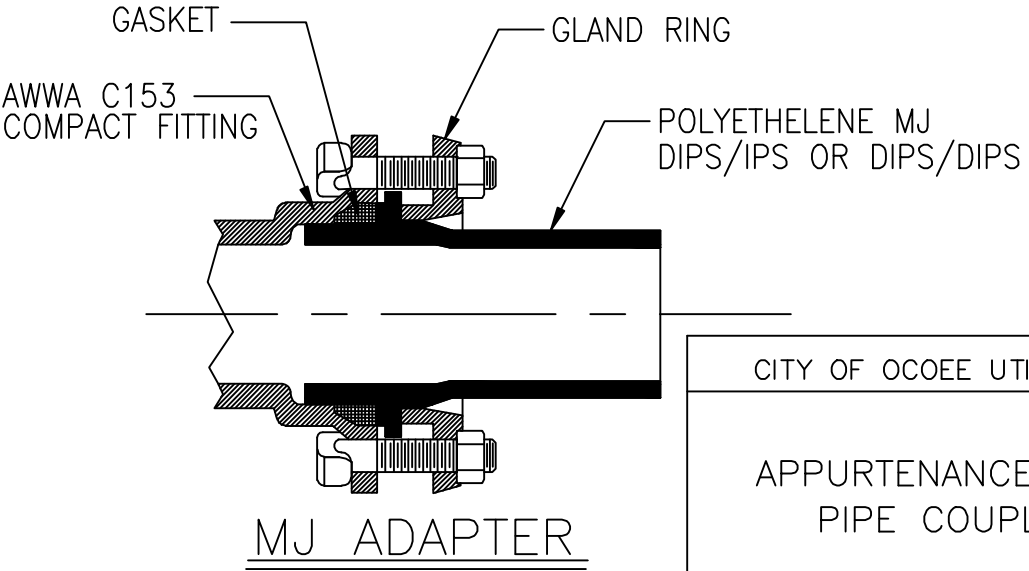


STANDARD INSTALLATION

MAXIMUM PIPE SEPERATION WITH COUPLING	
PIPE SIZE (INCHES)	MAX. SEPERATION BETWEEN PIPES (INCHES)
4	1.0
6	1.0
8	1.0
12	1.0
16	1.0
18	1.0



STANDARD COUPLING INSTALLATION



CITY OF OCOEE UTILITIES DEPARTMENT		
APPURTENANCES, FITTING, AND PIPE COUPLING DETAILS		
DATE: MAR 25,10	DWG: HDPE	FIG: 410