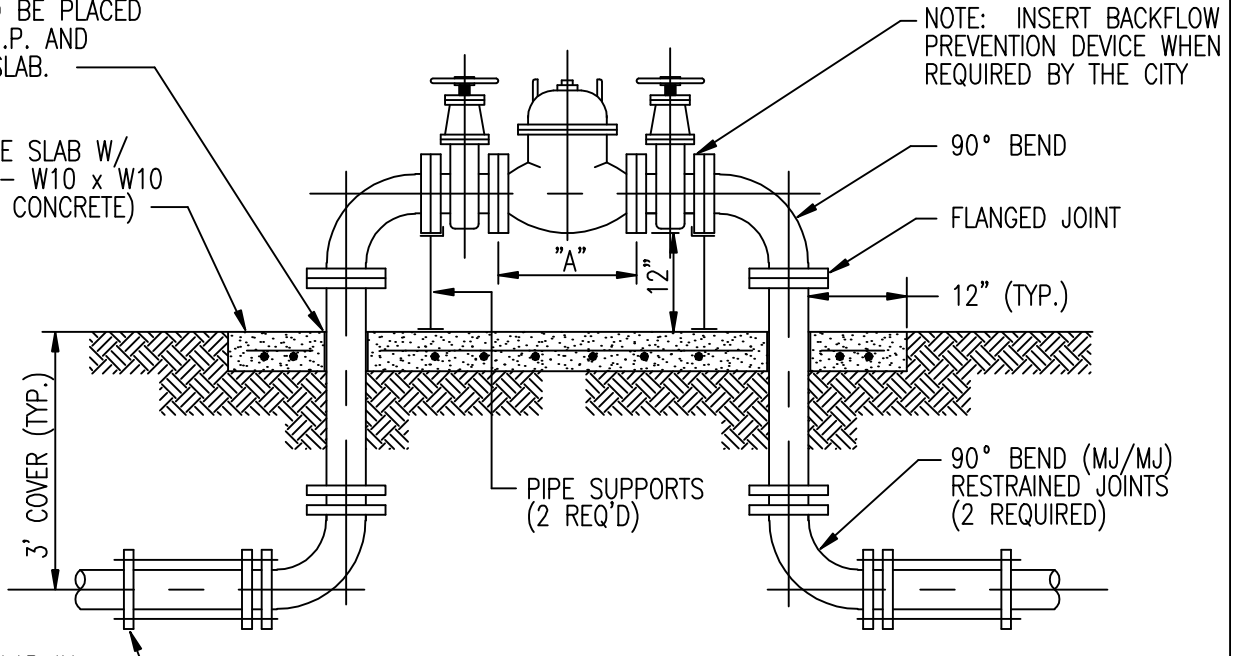


PLAN

1/2" PREFORMED JOINT MATERIAL TO BE PLACED BETWEEN D.I.P. AND CONCRETE SLAB.

6" CONCRETE SLAB W/ NO. 6 x 6 - W10 x W10 (2500 P.S.I. CONCRETE)



THRUST COLLAR IN ACCORDANCE WITH STANDARD DRAWING AND PLANS APPROVED BY THE CITY (2 REQUIRED)

PROFILE

NOTES:
1. ALL ABOVE GROUND PIPE JOINTS SHALL BE FLANGED.

VALVE SIZE	"A"
4"	16-1/2"
6"	22-1/2"
8"	26-1/2"

CITY OF OCOEE UTILITIES DEPARTMENT		
DETECTOR CHECK VALVE ASSEMBLY		
DATE: AUG. 1990	DWG: DCCV	FIG: 500