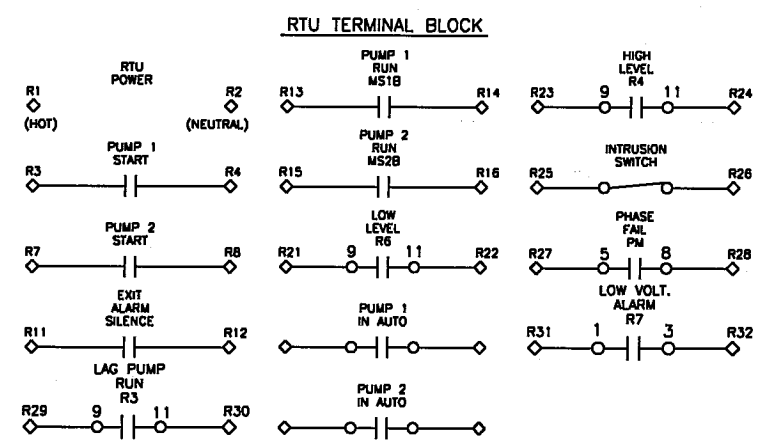


**COMPONENT LEGEND**

- AB - ALARM BELL
- ACFL - AIR COMPRESSOR FAIL LIGHT
- ACR - AIR COMPRESSOR RESET
- ACTS - AIR COMPRESSOR TERMINAL STRIP
- ADR - AUTO DIALER RECEPTACLE
- AH - ALARM HORN
- AL - ALARM LIGHT
- ALT - ALTERNATOR
- AMS - ALTERNATOR MODE SWITCH
- ASB - ALARM SILENCE BUTTON
- ATS - ALTERNATOR TEST SWITCH
- AV - AIR VENT
- CCB - CONTROL CIRCUIT BREAKER
- CT - CURRENT TRANSFORMER
- CVLS - CHECK VALVE LIMIT SWITCH
- DPDT - DOUBLE-POLE, DOUBLE-THROW
- DR - DISABLE RELAY
- DRB - DUPLEX RECEPTACLE BREAKER
- DS - DOOR SWITCH
- ECB - EMERGENCY CIRCUIT BREAKER
- ETM - ELAPSED TIME METER
- F - FUSE
- FB - FUSE BLOCK
- FL - FLASHER
- FR - FLOAT REGULATOR
- FS - FLOW SWITCH
- FTS - FLOAT TEST SWITCH
- GFDR - GROUND FAULT DUPLEX RECEPTACLE
- GND - EARTH GROUND
- GR - GENERATOR RECEPTACLE
- HLA - HIGH LEVEL ALARM
- HLR - HIGH LEVEL RESET
- HOA - HAND-OFF-AUTO SELECTOR SWITCH
- ISR - INTRINSICALLY SAFE RELAY
- LA - LIGHTNING ARRESTOR
- LLR - LOW LEVEL RESET
- LTB - LAMP TEST BUTTON
- MB - MOTOR BREAKER
- MC - MINICAS
- MCB - MAIN CIRCUIT BREAKER
- MD - MOISTURE DETECTOR
- MS - MOTOR STARTER
- NC - NORMALLY CLOSED
- NO - NORMALLY OPEN
- OL - OVERLOAD
- PCU - PUMP CONTROL UNIT
- PFL - PUMP FAIL LIGHT
- PFT - PUMP FAIL TIMER
- PL - PILOT LIGHT
- POL - POWER ON LIGHT
- PM - PHASE MONITOR
- PS - PRESSURE SWITCH
- R - RELAY
- RCB - REMOTE TELEMETRY CIRCUIT BREAKER
- RL - RUNNING LIGHT
- RTU - REMOTE TELEMETRY UNIT
- SC - SURGE CAPACITOR
- SDR - STATION DISABLE RELAY
- SMC - SMART MOTOR CONTROLLER
- SPM - SINGLE PHASE MODULE
- SS - SAFETY SWITCH
- SSOL - SOLID-STATE OVERLOAD
- T - TERMINAL
- TB - TERMINAL BLOCK
- TD - TIME DELAY
- TDDE - TIME DELAY ON DE-ENERGIZE
- TDOE - TIME DELAY ON ENERGIZE
- TDR - TIME DELAY RELAY
- TL - TROUBLE LIGHT
- TLS - TROUBLE LIGHT SWITCH
- TPDT - TRIPLE-POLE, DOUBLE-THROW
- TTS - THERMAL TERMINAL STRIP
- XFMR - TRANSFORMER

| AUTO-DIALER MODULES |                  |
|---------------------|------------------|
| MODULE NO.          | DESCRIPTION      |
| 1                   | LAG PUMP RUN     |
| 2                   | HIGH WATER ALARM |
| 3                   | PHASE FAILURE    |
| 4                   | PUMP 1 ETM       |
| 5                   | PUMP 2 ETM       |
| 6                   | GENERATOR RUN    |
| 7                   | LOW VOLTAGE      |
| 8                   | LOW WATER ALARM  |



THESE DETAILS ARE PROVIDED ONLY TO ASSIST IN THE DESIGN PROCESS. ALL DESIGNS SHALL BE IN ACCORDANCE WITH THE SPECIFIC ARTICLES AND SECTIONS OF THE CITY OF OCOEE'S MOST CURRENT UTILITIES SPECIFICATIONS. IT IS THE ENGINEER'S RESPONSIBILITY TO OBTAIN AND USE UPDATED VERSIONS OF THESE DETAILS SHOULD THEY BECOME AVAILABLE FROM THE CITY.

| NO. | DATE | DESCRIPTION | BY |
|-----|------|-------------|----|
|     |      |             |    |
|     |      |             |    |
|     |      |             |    |
|     |      |             |    |

**CITY OF OCOEE UTILITIES DEPT.**

1800 A.D. MIMS RD, OCOEE, FLORIDA 34761  
 P 407-905-3100 F 407-656-7416 www.ci.ocoee.fl.us

**STANDARD UTILITIES DETAILS**

**DUPLEX SYSTEM WITH TELEMETRY - 480V/3PH**

|           |       |
|-----------|-------|
| SCALE:    | N/A   |
| DATE:     | 12/06 |
| PAGE NO.: | 5b    |
| OF        | 6     |