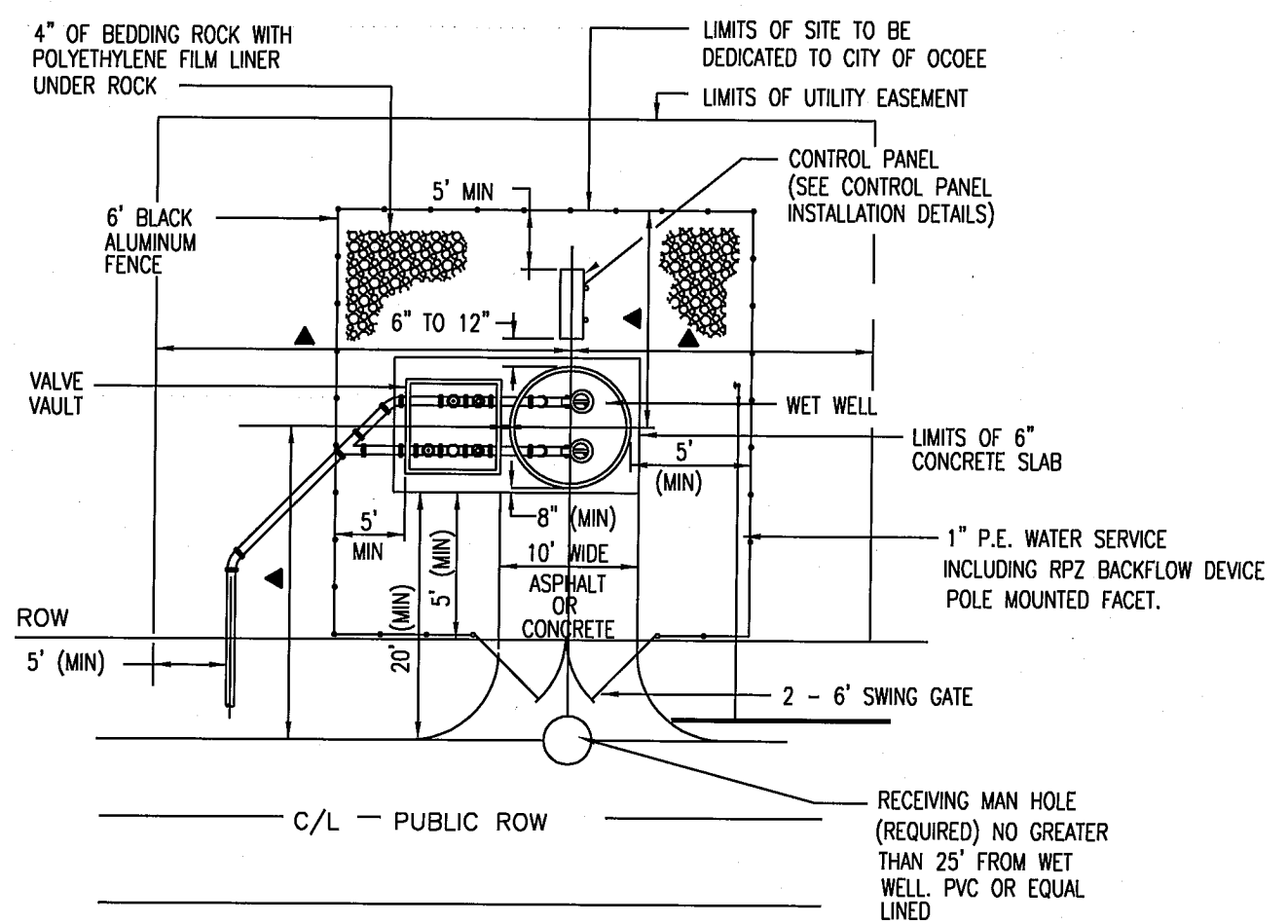
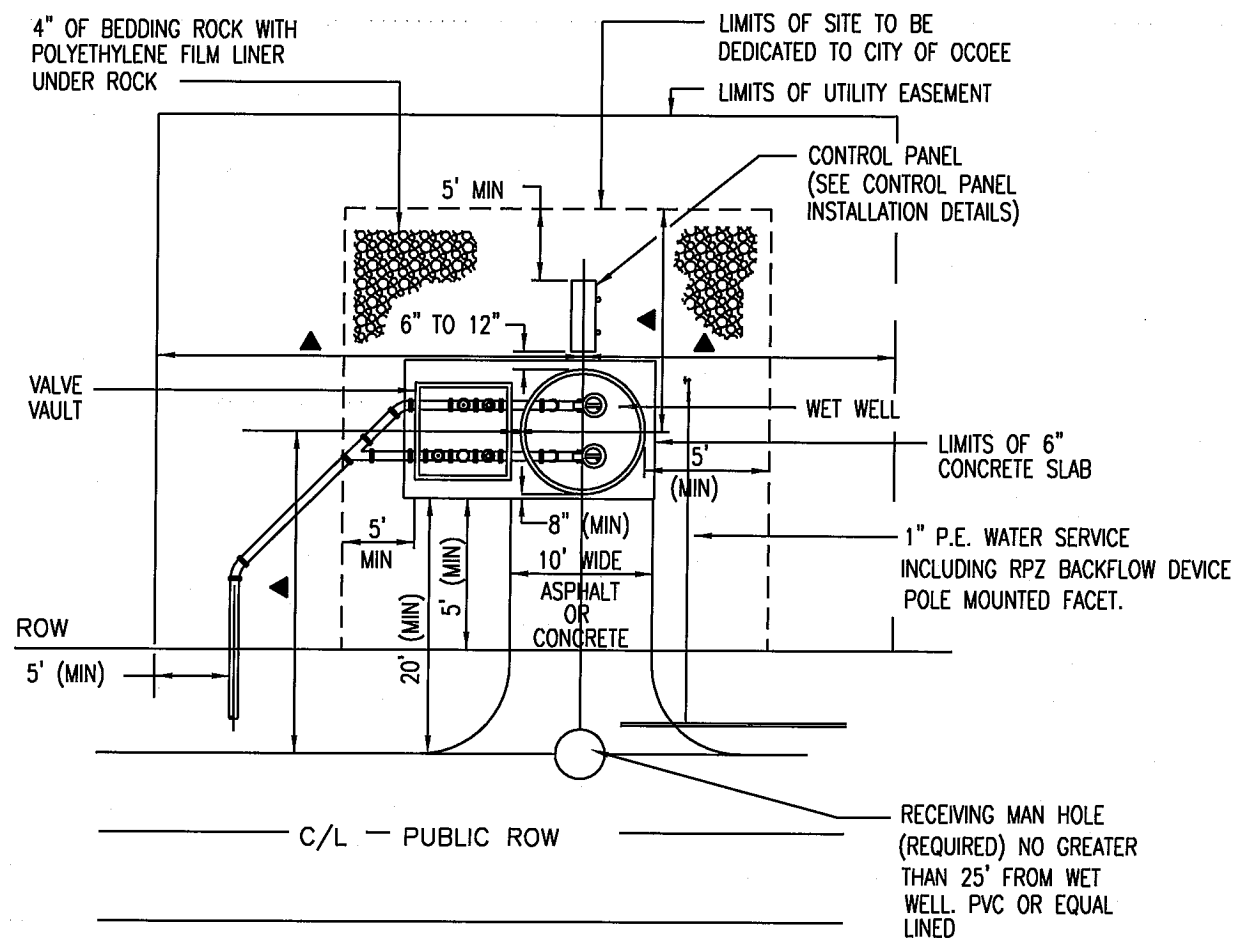


LIFTSTATION GENERAL SITE PLAN
UNSECURED

LIFTSTATION GENERAL SITE PLAN
SECURED



NOTES:

1. ▲ THIS DIMENSION SHALL BE EQUAL TO THE DEPTH OF THE WET WELL.
2. ENGINEER SHALL PROVIDE A SCALED (1" = 20' MIN) SITE SPECIFIC DETAIL
2. CONTRACTOR SHALL REFER TO SPECIFIC SITE PLAN FOR LIFTSTATION GEOMETRY AND GRADES.

NOTES:

1. ▲ THIS DIMENSION SHALL BE EQUAL TO THE DEPTH OF THE WET WELL.
2. ENGINEER SHALL PROVIDE A SCALED (1" = 20' MIN) SITE SPECIFIC DETAIL
2. CONTRACTOR SHALL REFER TO SPECIFIC SITE PLAN FOR LIFTSTATION GEOMETRY AND GRADES.

THESE DETAILS ARE PROVIDED ONLY TO ASSIST IN THE DESIGN PROCESS. ALL DESIGNS SHALL BE IN ACCORDANCE WITH THE SPECIFIC ARTICLES AND SECTIONS OF THE CITY OF OCOEE'S MOST CURRENT UTILITIES SPECIFICATIONS. IT IS THE ENGINEER'S RESPONSIBILITY TO OBTAIN AND USE UPDATED VERSIONS OF THESE DETAILS SHOULD THEY BECOME AVAILABLE FROM THE CITY.

NO.	DATE	DESCRIPTION	BY

**CITY OF OCOEE
UTILITIES DEPT.**
1800 A.D. MIMS RD, OCOEE, FLORIDA 34761
P 407-905-3100 F 407-656-7416 www.ci.ocoee.fl.us

STANDARD
UTILITIES
DETAILS

**GENERAL SITE PLAN LAYOUT
PUMP STATION**

SCALE:	N/A
DATE:	12/06
PAGE NO:	3
OF	6