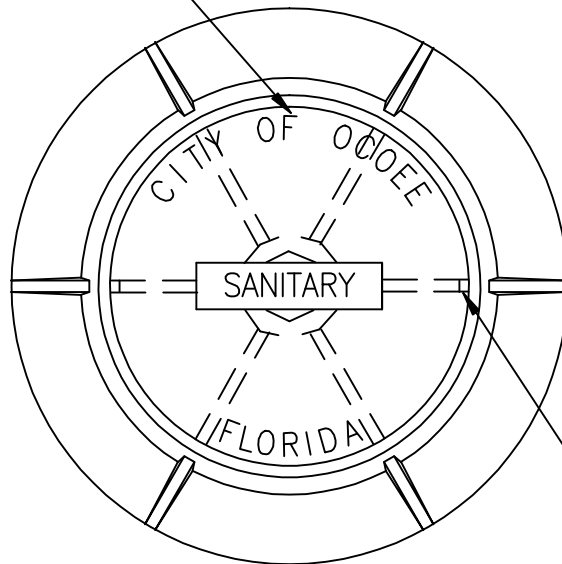
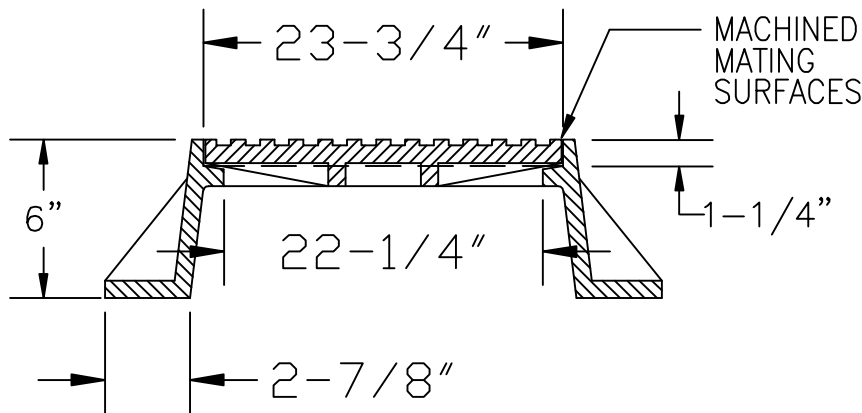


RAISED 1-1/2" LETTERS
FLUSH WITH TOP OF COVER



2 - NON PENETRATING
PICK HOLES

PLAN



ELEVATION

CITY OF OCOEE UTILITIES DEPARTMENT

OPTIONAL MANHOLE
FRAME AND COVER
(USF 420 TYP.)

DATE: JAN. 1990

DWG: MHFRAME

FIG: 202